

T-15G-HC~FGD01

Slimline Upright Foodservice Refrigerator, 1 Full Glass Swing Door



Build		Dimensions		Technical	
Door Description	1 Full Glass Swing Door	External Width (mm)	632	Temperature Holding	0.5 : 3.3°C
Door Opening	Right (standard) or Left.	External Depth (mm)	585	Refrigerant	R290
Exterior Construction	Stainless steel front, aluminium sides & rear	External Height (mm)	1877	Voltage / Frequency / Phase	220-240V/50Hz/1
Interior Construction	Clear coated aluminium, stainless steel base	Exclusions	Depth does not include 42 mm for door handle or 13 mm for rear access panel.	Amps	1.4
Air Intake Position	Front	Net Volume (Litres)	290	Wattage	322
Ventilation Position	Rear	Gross Volume (Litres)	425	Temperature Class	M2
Clearance Required	26 mm rear, zero sides	Display Area (□)	0.67	Operating Statement	Tested at 25°C, 60% RH, per 'Refrigerators with a Direct Sales Function' for perishable food merchandising.
Cord Length (Meters)	2.74	Supplied Shelves	5	Testing Standard	EN 23953
Internal Lighting	LED	Shelf Size (L x D mm)	524 x 445	EEC	B
		Internal Net Height (mm)	1300	EEL	13.2
		Unpackaged Weight (kg)	105	kWh/24hr	2.19
		Packaged Weight (kg)	116	kWh/Annum	802
		Packaged Dimensions (W x D x H mm)	737 x 699 x 1918	Defrost Type	Auto
		Supplied Supports	ø 51 mm castors (74 mm height)		



Specifications subject to change without notice.
Chart dimensions rounded up to the next whole millimeter (inches rounded up to the 1/8")

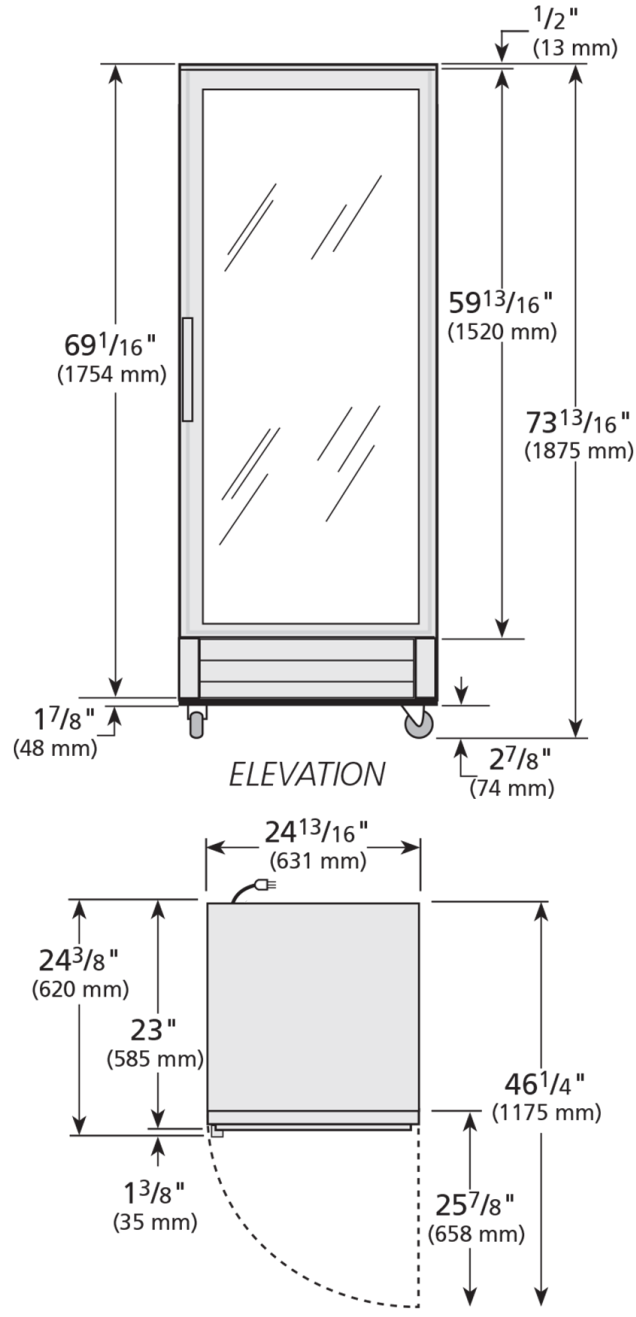
UK & Ireland [0800 783 2049](tel:08007832049)
EMEA [+41 61 563 07 05](tel:+41615630705)
Australia [+61 2 9619 9999](tel:+61296199999)

TFIUK@truemfg.com
TrueGermCustomerService@truemfg.com
TrueRefAus@truemfg.com



T-15G-HC~FGD01

■ Slimline Upright Foodservice Refrigerator, 1 Full Glass Swing Door



Specifications subject to change without notice.
Chart dimensions rounded up to the next whole millimeter (inches rounded up to the 1/8")

UK & Ireland [0800 783 2049](tel:08007832049)
EMEA [+41 61 563 07 05](tel:+41615630705)
Australia [+61 2 9619 9999](tel:+61296199999)

TFIUK@truemfg.com
TrueGermCustomerService@truemfg.com
TrueRefAus@truemfg.com

